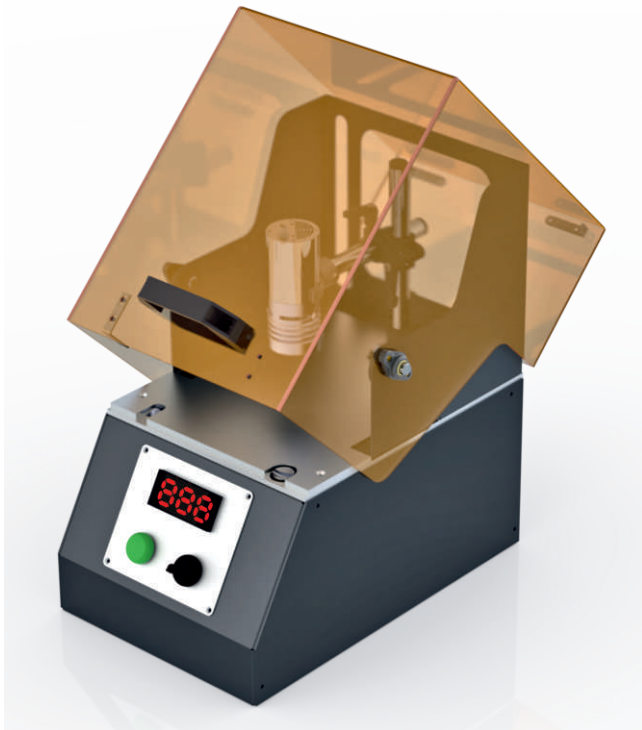


UV SAFE MINI



Static UV LED oven for curing adhesives/sealants/ resins on small parts

Designed for small production runs,
laboratory tests and R&D activities

It can mount various UV LED DROLED models,
from Spot Led 15 to L76 with position
adjustable in height and depth

Programmable work cycle from 1 sec to 60 min

No overheating of the holder

Complete operator safety

Transparent Plexiglas protective screen

Immediate switch-on and switch-off

Plug & Play installation

Very compact dimensions



info@photoel.com

www.photoelcuring.com

Tel. (+39) 045 63 50 444

Brochure UV SAFEmini_r01_ita

UV SAFE MINI

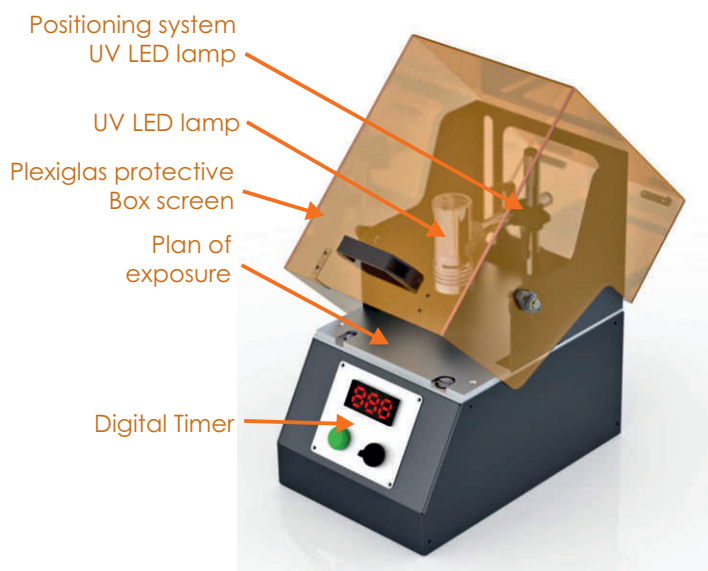
DROLED L75	PEAK WAVELENGTH	PEAK IRRADIANCE VALUE	EMITTING WINDOW LENGTH	MAXIMUM POWER CONSUMPTION (48VIn)
	365nm	3 W/cm ²	76mm 113mm	85W 1,8A 125W 2,7A
385/395/405nm	4 W/cm ²	76mm 113mm	85W 1,8A 125W 2,7A	

DROLED L76	PEAK WAVELENGTH	PEAK IRRADIANCE VALUE	EMITTING WINDOW LENGTH	MAXIMUM POWER CONSUMPTION (48VIn)
	365nm	5 W/cm ²	76mm 113mm	160W 3,4A 240W 5,0A
385/395/405nm	7 W/cm ²	76mm 113mm	160W 3,4A 240W 5,0A	

IRIS LED 70	PEAK WAVELENGTH	PEAK IRRADIANCE VALUE	EMITTING WINDOW	TYPICAL POWER CONSUMPTION	MAXIMUM POWER CONSUMPTION
	385/395/410nm	6,000mW/cm ²	20x20mm	36Vdc 70W	36Vdc 80W
365nm	4,500mW/cm ²	20x20mm	36Vdc 70W	36Vdc 80W	

SPOT LED 15	PEAK WAVELENGTH	PEAK IRRADIANCE VALUE	EMITTING WINDOW DIAMETER	MAXIMUM POWER CONSUMPTION
	365nm	100 mW/cm ²	Ø 30 mm	(24Vdc) 20W 0,9A
	390/400/410nm	250 mW/cm ²	Ø 30 mm	(24Vdc) 20W 0,9A
	460nm	320 mW/cm ²	Ø 30 mm	(24Vdc) 20W 0,9A

UV SAFE mini is available in two version:
with SpotLed 15 or Iris 70 UV Led lamps
with L75 or L76 Droled UV Led lamps



Operating

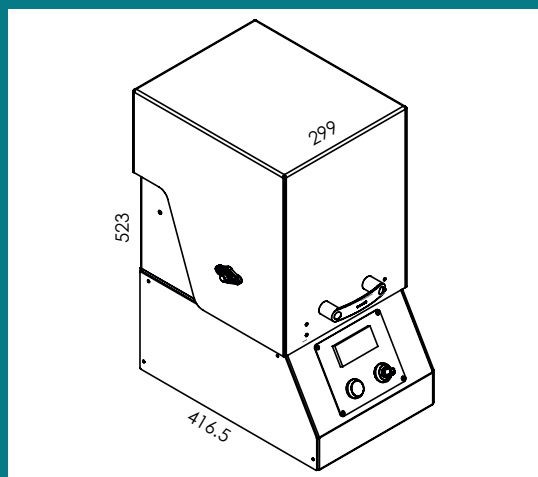
UV SAFE mini from Photo Electronics is a complete system that allows immediate curing of adhesives, sealants and resins on small parts. It is used for small production runs, laboratory tests and R&D activities.

It consists of a shielded exposure chamber with transparent Plexiglas box, lamp DROLED UV LED available in various wavelengths.

Equipped with a 20-memory digital timer.

Closing the screen starts the exposure cycle, at the end of which the box opens automatically.

Dimensions and technical data



Exposure plan

250x200 mm
Adjustable height

Forno UV SAFE mini

Electrical consumption max:
depends on the model of lamp installed
(see above table)

Universal multi-voltage power supply
110-277V / AC 50-60 Hz
Weight 20 Kg (approx.)

