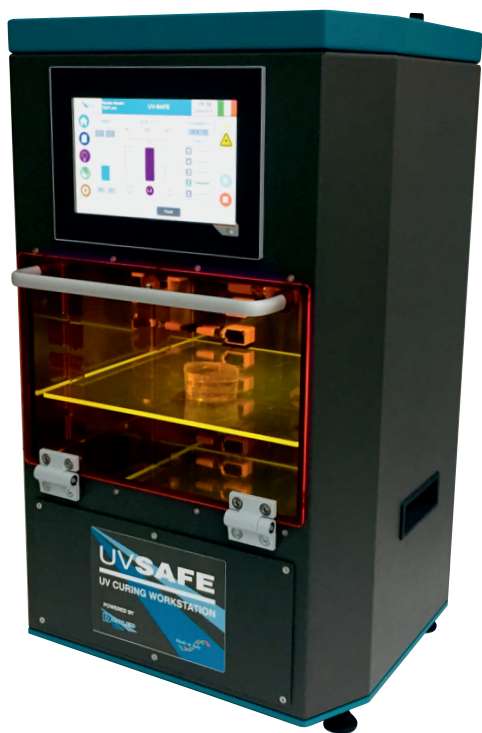


UV SAFE



UV LED chamber for the polymerization of adhesives, sealants and resins on small parts

Designed for small productions,
lab tests and R&D activities

Up to 3 DROLED UV LED lamps with mixed wavelengths
365, 385, 395, 405 nm

Programmable working cycle from 1 sec to 60 min

No overheating of the cured support

Complete safety of the operator

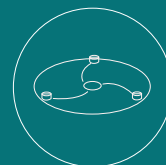
Exposure chamber with reflective walls

Removable and repositionable tray

Immediate on/off switching

Plug & Play Installation

Compact dimensions

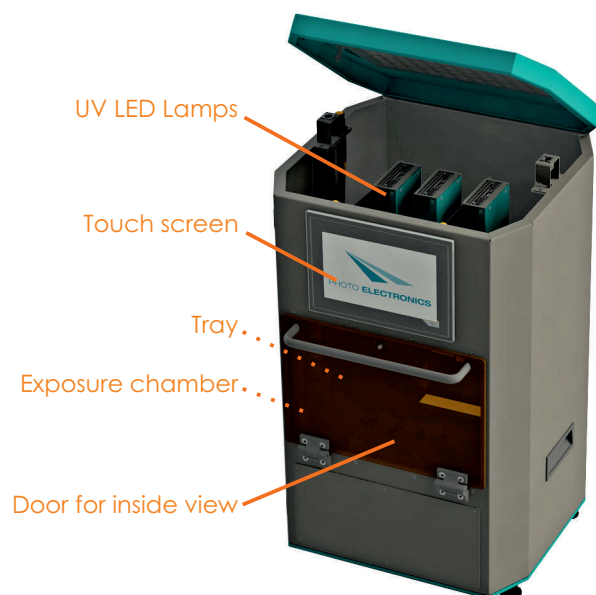


UV SAFE

UV SAFE is designed for the installation of 1, 2 or 3 DROLED UV LED lamps series L75 or L76, with mixed wavelengths.

DROLED L75				
Wavelength (nm)	365nm		385 / 395 / 405nm	
Irradiance peak (W/cm ²)	3 W/cm ²		4 W/cm ²	
Emitting window width(mm) VERSION FLAT WINDOW	76	113	76	113

DROLED L76				
Wavelength (nm)	365nm		385 / 395 / 405nm	
Irradiance peak (W/cm ²)	5 W/cm ²		7 W/cm ²	
Emitting window width(mm) VERSION FLAT WINDOW	76	113	76	113



Functioning

UV SAFE by Photo Electronics is a complete system that allows the immediate polymerization of adhesives, sealants and resins on small pieces. It is used for small productions, laboratory tests and R&D activities.

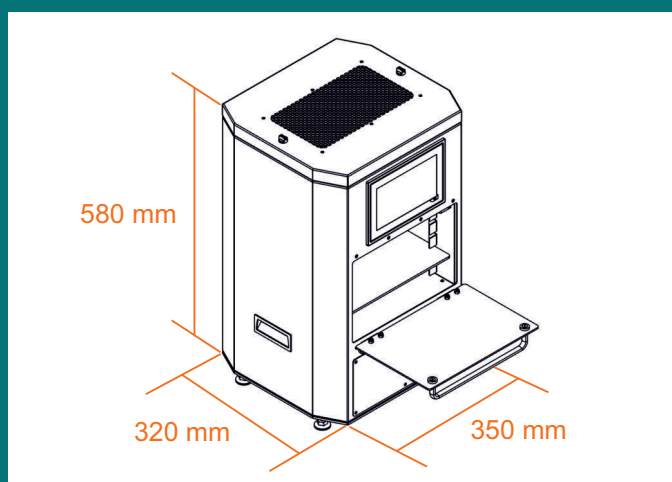
It consists of an exposure chamber, a height-adjustable tray and 1 to 3 DROLED UV LED lamps with mixed wavelengths. The internal mirror walls allow a 360° homogeneous radiation.

All operational settings (working cycle duration, lamp configuration ...) are managed by the touch screen and can be modified from time to time or saved as recipes for later use.

The internal sensors communicate the detected temperature and allow constant monitoring.

UV SAFE system can also be equipped with an optional module of remote assistance.

Dimensions and technical data



Exposure chamber

270x260x270H mm

Tray

250x250 mm

Adjustable height

UV SAFE

Electric consumption 1000W max

Universal multi-voltage power supply

110-277V / AC 50-60 Hz

Weight 23 Kg

