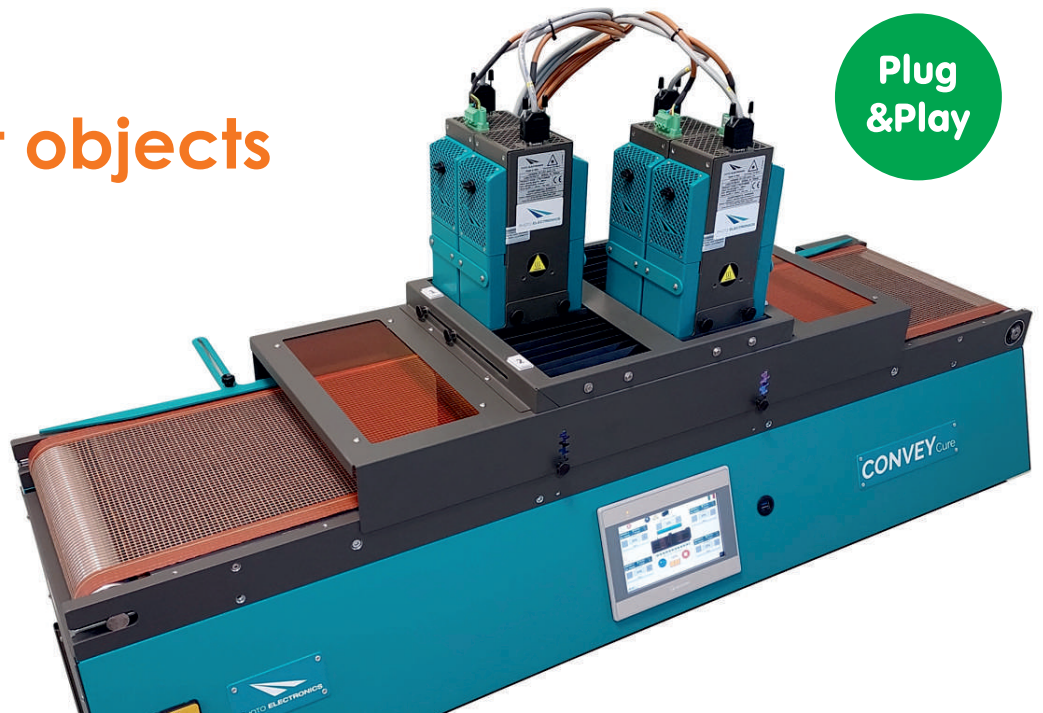


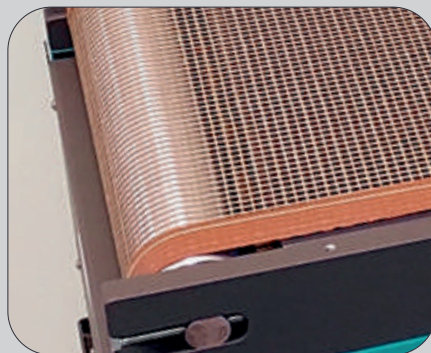
## UV LED dryer for curing flat objects & decorated substrates

Designed for  
production & lab tests  
polymerizes inks,  
varnishes, adhesives  
and resins

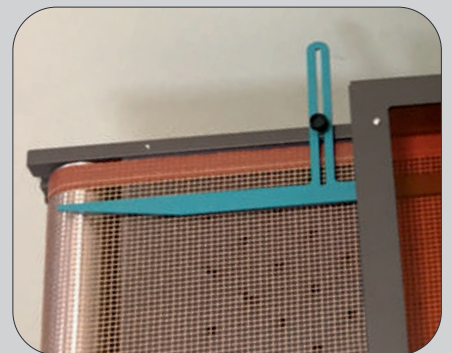
Plug  
& Play



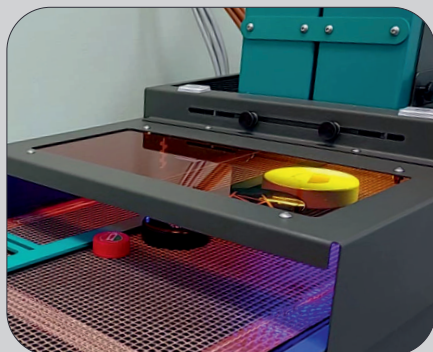
PLC with display for  
lamp parameters  
set up (on/off + intensity) +  
conveyor belt (direction/speed)



Vacuum table for holding light  
objects + perforated conveyor in  
Teflon, resistant to UV radiations,  
standard or customized speed



Removable and adjustable  
centering guides



Up to 4 UV LED DROLED  
L70 lamps with  
different wavelengths



Tunnel for lamps support  
with adjustable position



Lamps height manual regulation  
with 5 mm steps

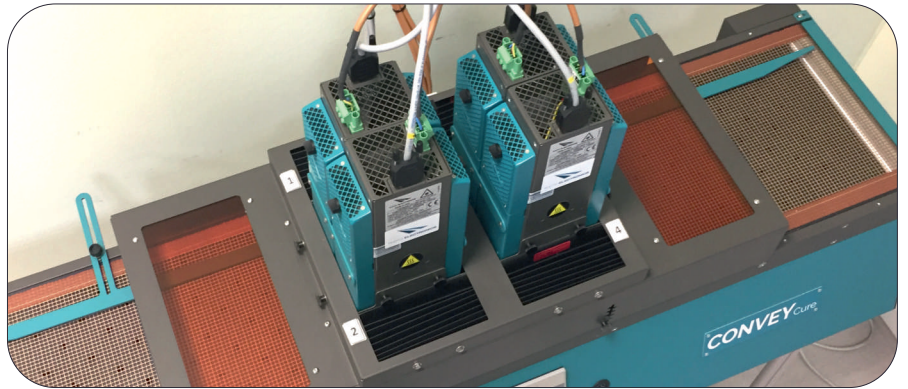


## Maximum operation with 4 DROLED UV LED lamps

CONVEY CURE is designed for the installation of 1, 2 or 4 DROLED UV LED lamps, L70 series.

The lamps can be positioned offset or aligned, to irradiate different polymerization widths.

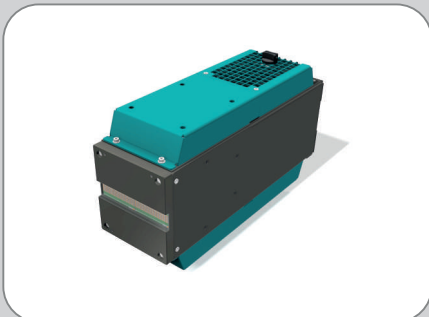
CONVEY CURE 1300 compared to the version 800, allows to reach a greater polymerization intensity and a wider working area.



## Technical data

Maximum dimensions for object transition	mm 305 x 50h (or custom)
Maximum irradiation width	mm 80 ÷ 305
Distance lamps/conveyor belt	mm 5 ÷ 50 (5mm steps, extendable)
Conveyor belt speed	mt/min 0,1 ÷ 1,5 --- 1 ÷ 10 --- 3 ÷ 30 (or custom)
UV LED lamps power	8 - 12 - 16 W/cm <sup>2</sup> (or configurable)
UV LED lamps wavelengths	365 - 385 - 395 - 405 nm (or configurable)
UV LED lamps intensity	1 ÷ 100 %
Electrical data	max 3500 W - 110 ÷ 277 V - AC 50-60 Hz
Oven dimensions	mm 1520 x 470 x 610h
Wooden box dimensions	mm 1680 x 1080 x 960h
Oven + tunnel + lamps weight	Kgs 50
Fully equipped packed oven weight	Kgs 170

## Options



Additional lamp kit  
UV LED DROLED L70



Support table  
cod. CONVEY1300/TABLE/01



Shipping hardy  
wooden box on pallet  
cod. CONVEY1300PACK/02

